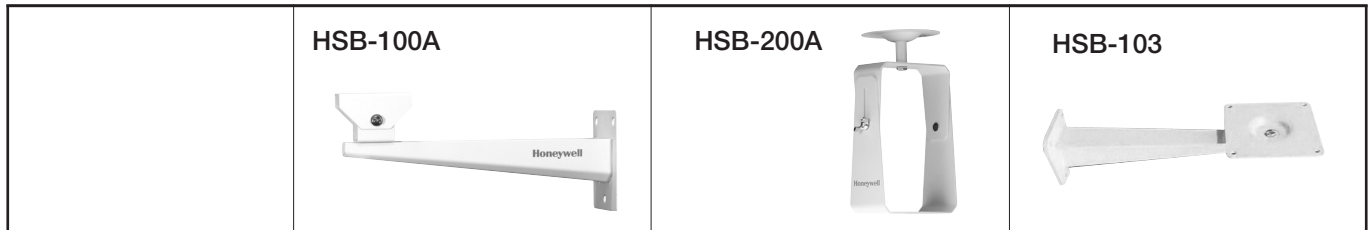


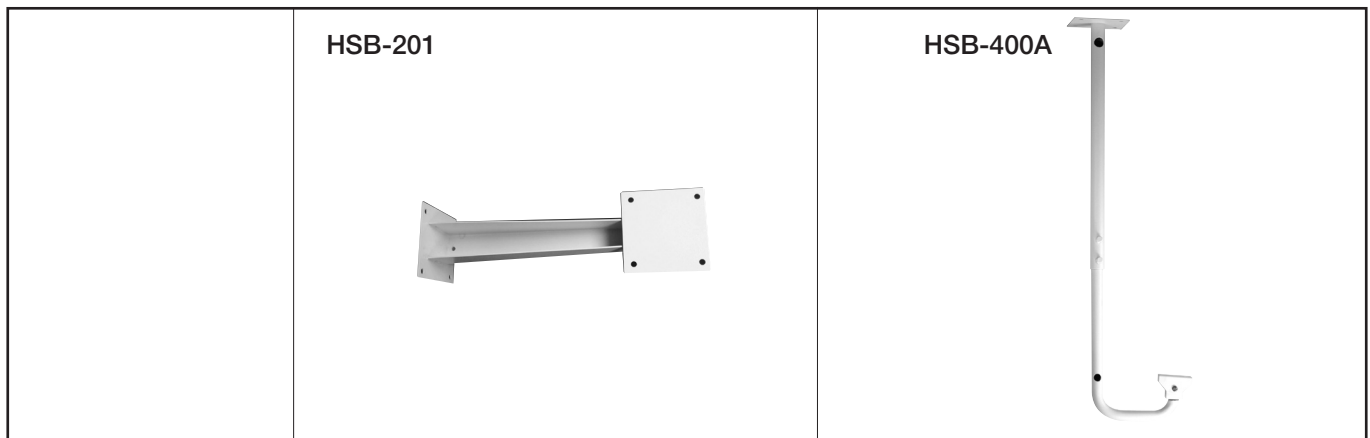
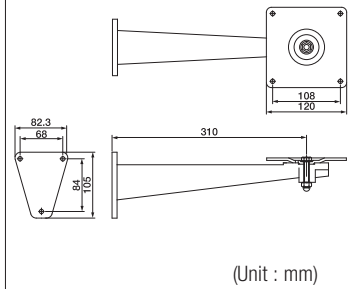
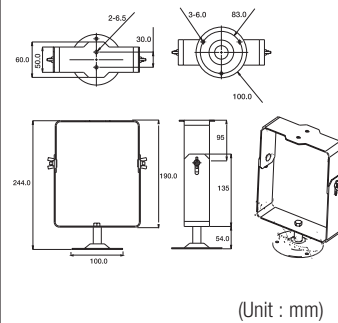
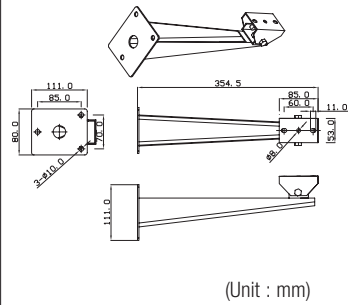
Bracket



SPECIFICATIONS

Model No.	HSB-100A	HSB-200	HSB-103 (only for GPT-203)
Application	Wall Mount, Mini Size	Ceiling Mount	Wall Mount, PT
Material	Steel	Steel	Aluminum
Load	10 kg	5 kg	10 kg
Weight	800g	430g	0.6 kg
Color	Light Gray	Light Gray	Light Gray
Dimension (L) mm	355	130	374

DIMENSIONS



SPECIFICATIONS

Model No.	HSB-201(only for GPT-201)	HSB-400A
Application	Wall Mount, PT	J Type, Ceiling Mount
Material	Steel	Steel
Load	50 kg	15 kg
Weight	5.3 kg	2.7 kg
Color	Light Gray	Light Gray
Dimension (L) mm	640	600 (adjustable)

DIMENSIONS

